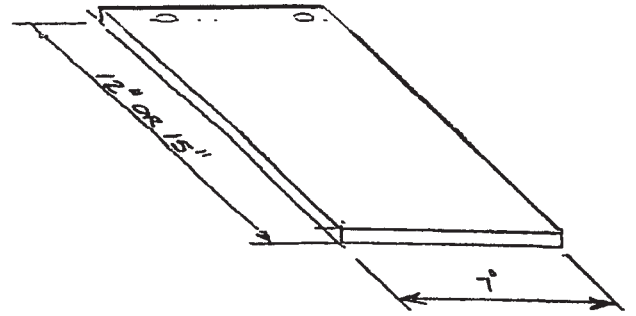


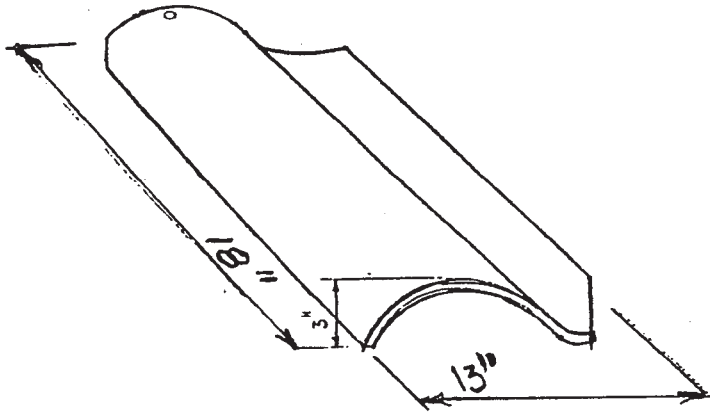
**INTERLOCKING TILE**



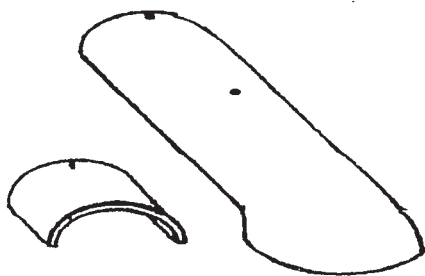
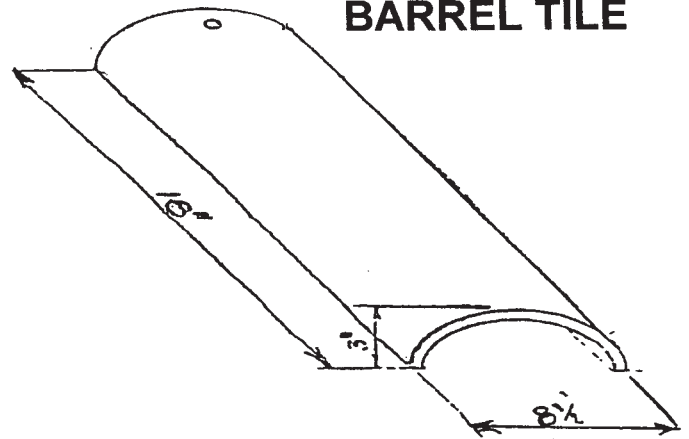
**SHINGLE TILE**

**TILE  
SANTA ANA TILE  
SHAPES**

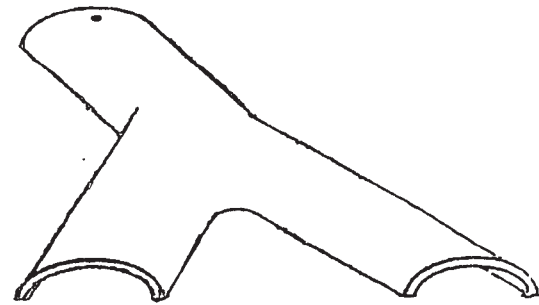
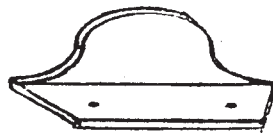
**S TILE**



**BARREL TILE**



**HIP STARTER**



**ACCESSORY TILE SHAPES**

# **SANTA ANA CLAY ROOFING TILE**

## **FACT SHEET**

**Warranty:** 75 year limited warranty. See warranty sheet for details and coverage

**Recommendations for roof installations:**

**Underlayment to be SBS self adhering modified bitumen.**

**Roof Decking to be structurally adequate and nailed to support expected live and dead loads and be in compliance with all local, state and federal codes.**

**Nails and flashings should be corrosive resistant and meet or exceed all local, state and federal codes. (Note: copper nails and flashings represent the preferred application in most areas; materials that are non-compatible with each other are not to be used.)**

**Sealant should be a cold weather flexible elastomeric copolymer designed for clay or like products or an equal, meeting local, state and federal codes.**

**Mortar, applied to tile should consist of 4 parts sand and 1 part portland cement as a minimum mix; oxide may be added if it is desired for aesthetic reasons.**

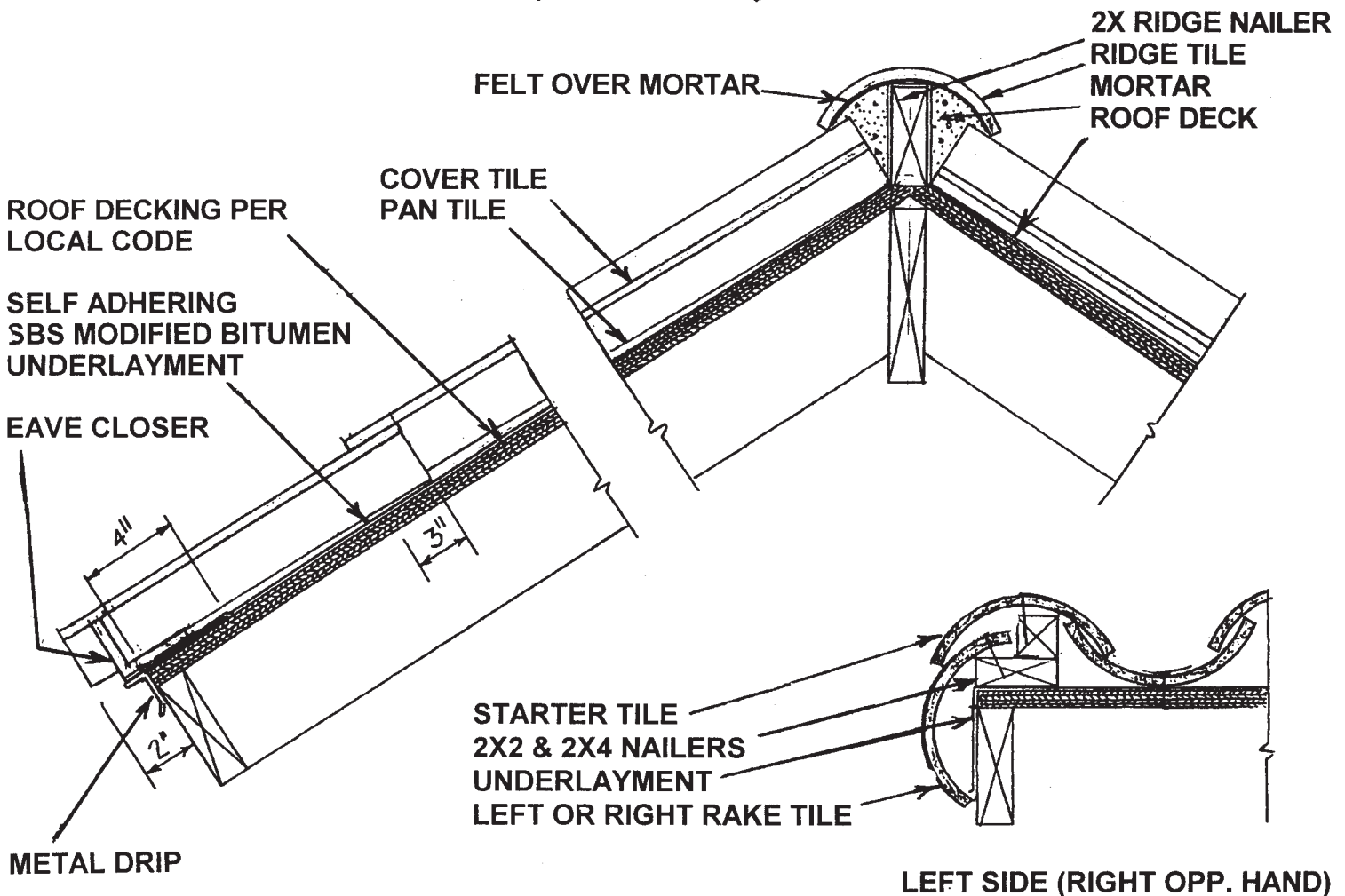
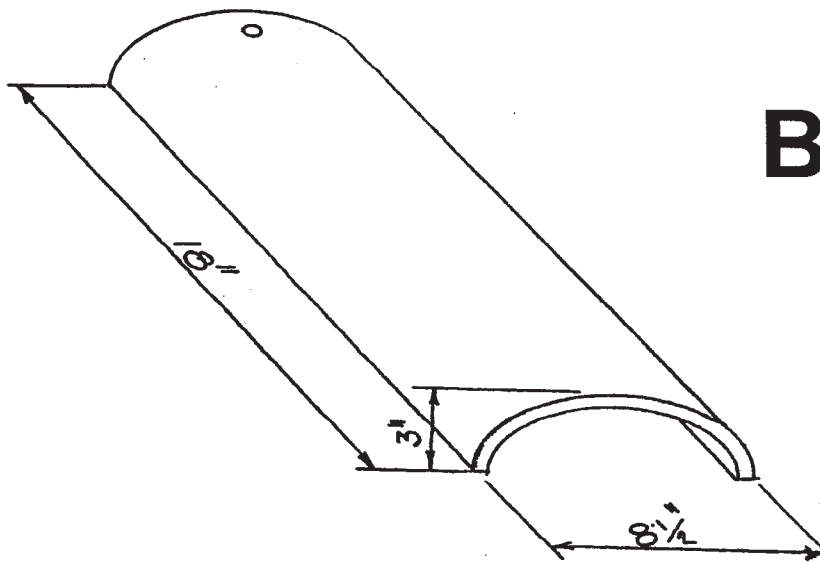
**The minimum pitch for Santa Ana tiles is 4:12.**

**Santa Ana clay tiles are produced from some of the finest clay reserves in the world. When fired, some variations in size and warpage occurs producing a rustic handmade look, but with the advantages of modern firing technology. Installers must sometimes use nippers to insure warped tiles fit in the appropriate manner (per installation details).**

**Installers should load the roof with tiles from numerous pallets in order to have a consistent blend throughout the roof.**

# SANTA ANA BARREL TILE INSTALLATION

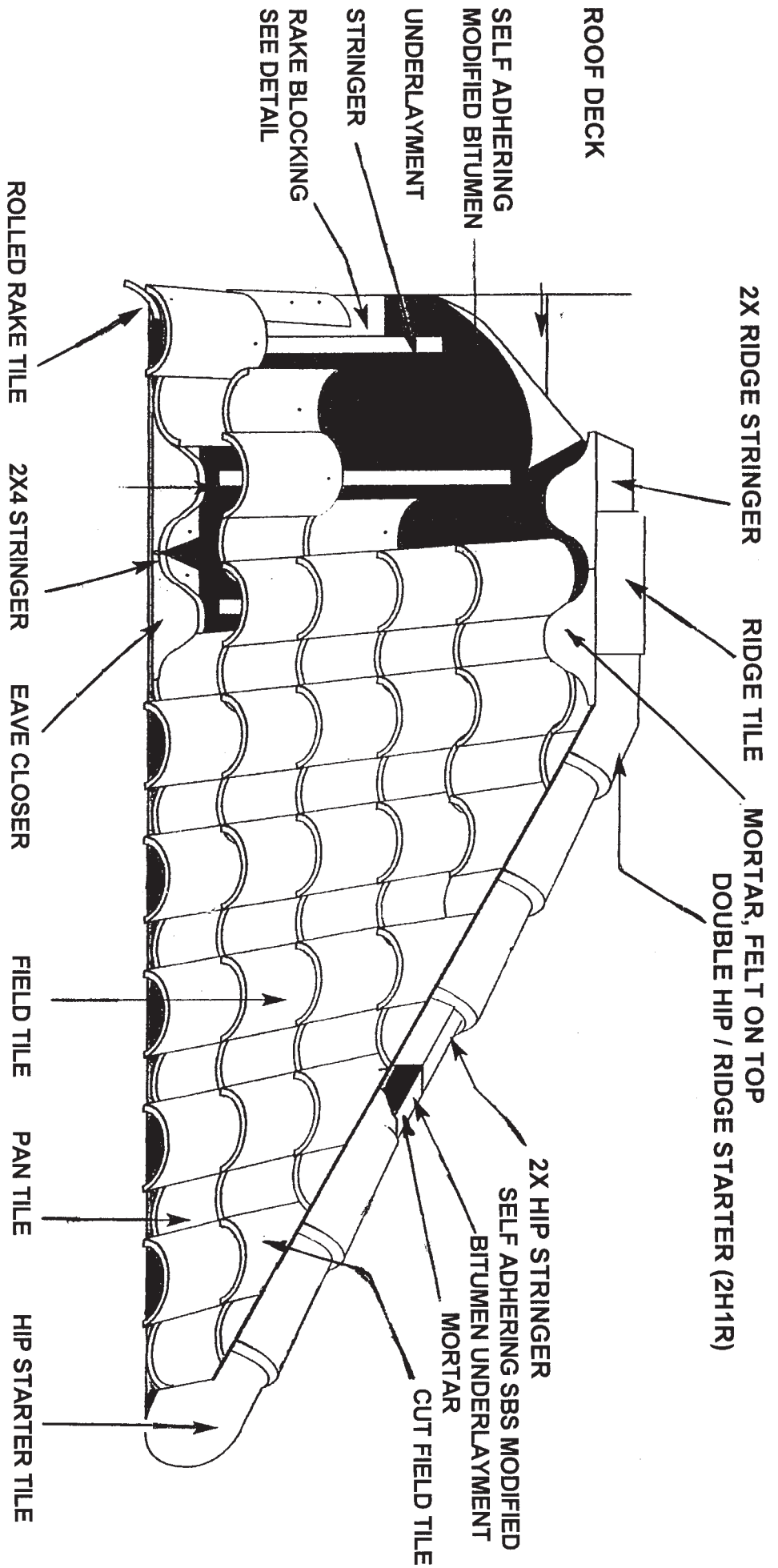
“MARBELLA”



**PHYSICAL DATA: BARREL TILE**

LENGTH	WIDTH	EXPOSURE	PIECES/SQUARE	AVG. WEIGHT/SQUARE
18"	11 1/2"	15"	170	1250 LBS.

**RECOMMENDED MINIMUM ROOF SLOPE 4:12**



**SANTA ANA INTERLOCKING TILE INSTALLATION: "MARBELLA"**

ALL TILE DIMENSIONS ARE APPROXIMATE. SLIGHT VARIATIONS IN SIZE AND WEIGHT CAN OCCUR DUE TO CLAY FIRING PROPERTIES. INSTALLERS MUST SOMETIMES USE NIPPERS TO INSURE WARPED TILES FIT IN THE APPROPRIATE MANNER (PER INSTALLATION DETAILS). TO INSURE PROPER BLENDING OF COLORS, TILE SHOULD BE TAKEN FROM VARIOUS PALLETS WHEN INSTALLING THE ROOF.

RECOMMENDED MINIMUM ROOF SLOPE: 4:12