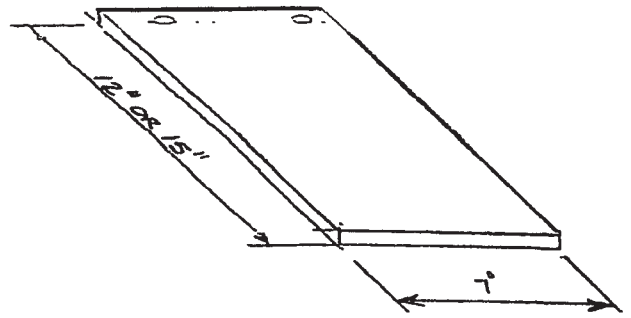


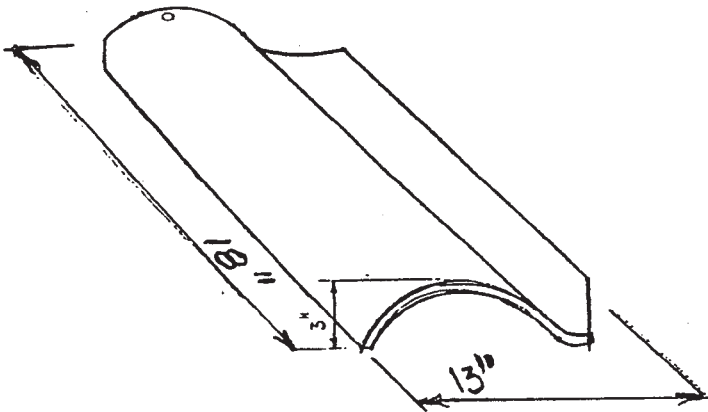
INTERLOCKING TILE



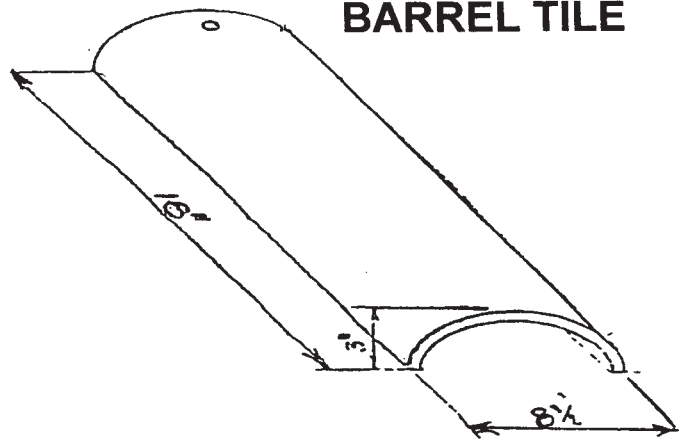
SHINGLE TILE

**TILE
SANTA ANA TILE
SHAPES**

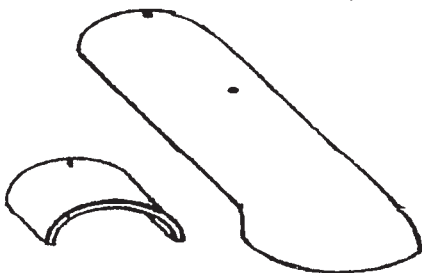
S TILE



BARREL TILE

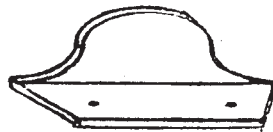


**S TILE
EAVE CLOSER**

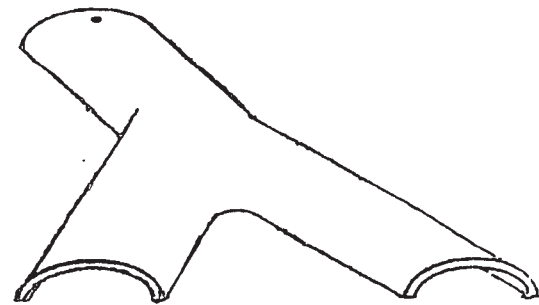


BOOSTER

HIP STARTER



**BARREL TILE
EAVE CLOSER**



**DOUBLE HIP/RIDGE STARTER
(2H1R)**

ACCESSORY TILE SHAPES

SANTA ANA CLAY ROOFING TILE

FACT SHEET

Warranty: 75 year limited warranty. See warranty sheet for details and coverage

Recommendations for roof installations:

Underlayment to be SBS self adhering modified bitumen.

Roof Decking to be structurally adequate and nailed to support expected live and dead loads and be in compliance with all local, state and federal codes.

Nails and flashings should be corrosive resistant and meet or exceed all local, state and federal codes. (Note: copper nails and flashings represent the preferred application in most areas; materials that are non-compatible with each other are not to be used.)

Sealant should be a cold weather flexible elastomeric copolymer designed for clay or like products or an equal, meeting local, state and federal codes.

Mortar, applied to tile should consist of 4 parts sand and 1 part portland cement as a minimum mix; oxide may be added if it is desired for aesthetic reasons.

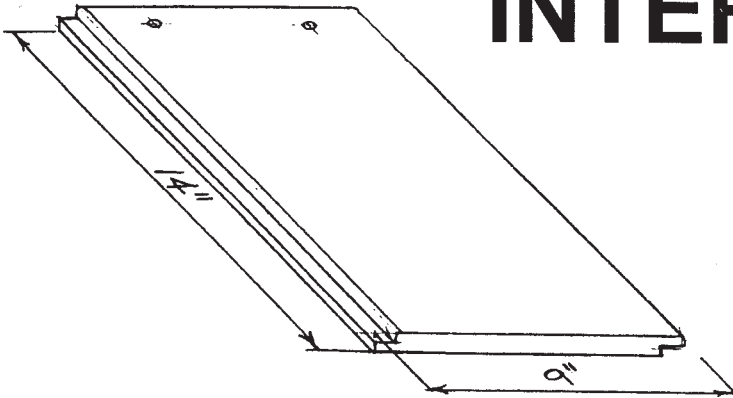
The minimum pitch for Santa Ana tiles is 4:12.

Santa Ana clay tiles are produced from some of the finest clay reserves in the world. When fired, some variations in size and warpage occurs producing a rustic handmade look, but with the advantages of modern firing technology. Installers must sometimes use nippers to insure warped tiles fit in the appropriate manner (per installation details).

Installers should load the roof with tiles from numerous pallets in order to have a consistent blend throughout the roof.

SANTA ANA INTERLOCKING TILE INSTALLATION

"WINDSOR"



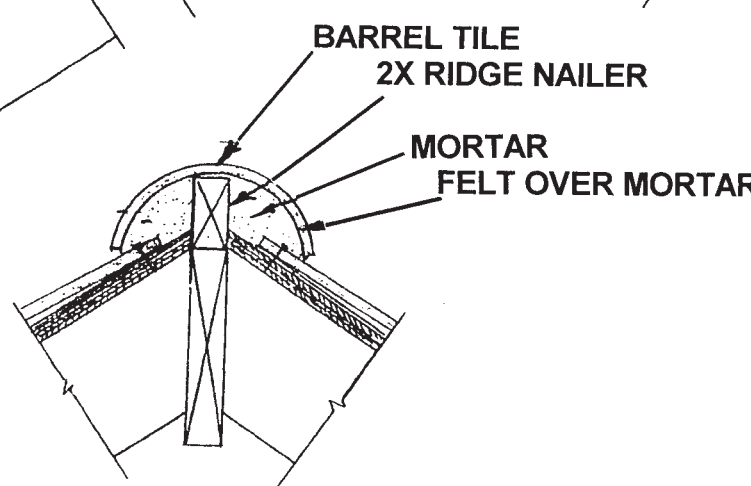
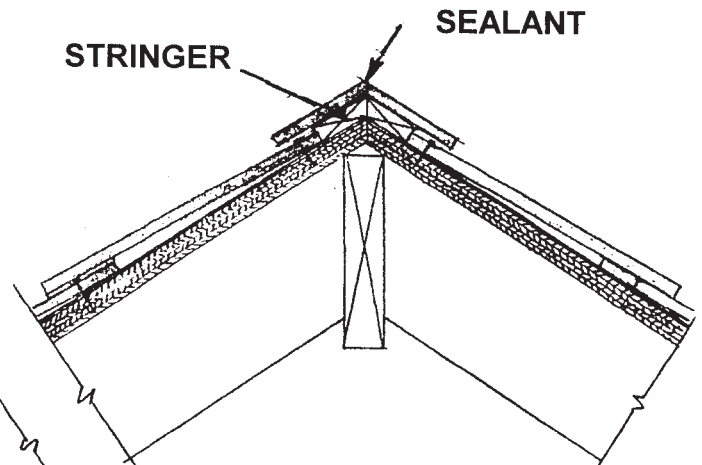
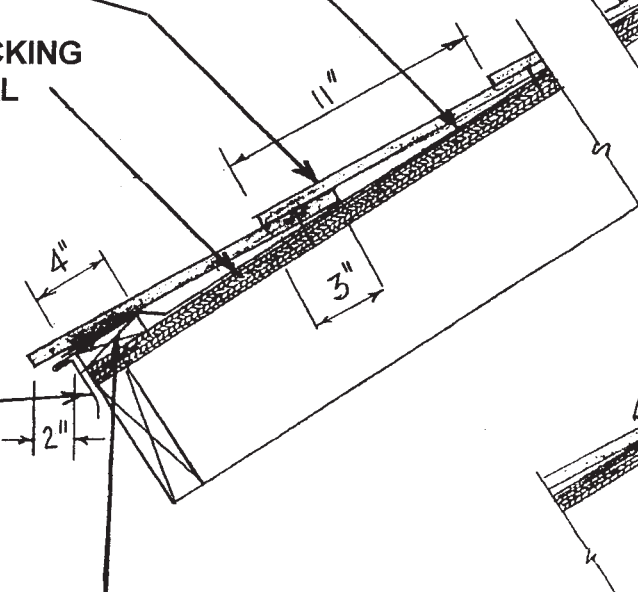
SELF ADHERING SBS
MODIFIED BITUMEN
UNDERLAYMENT

FIELD TILE

ROOF DECKING
PER LOCAL
CODE

METAL
DRIP

WOOD CANT STRIP
OR UNDER EAVE TILE

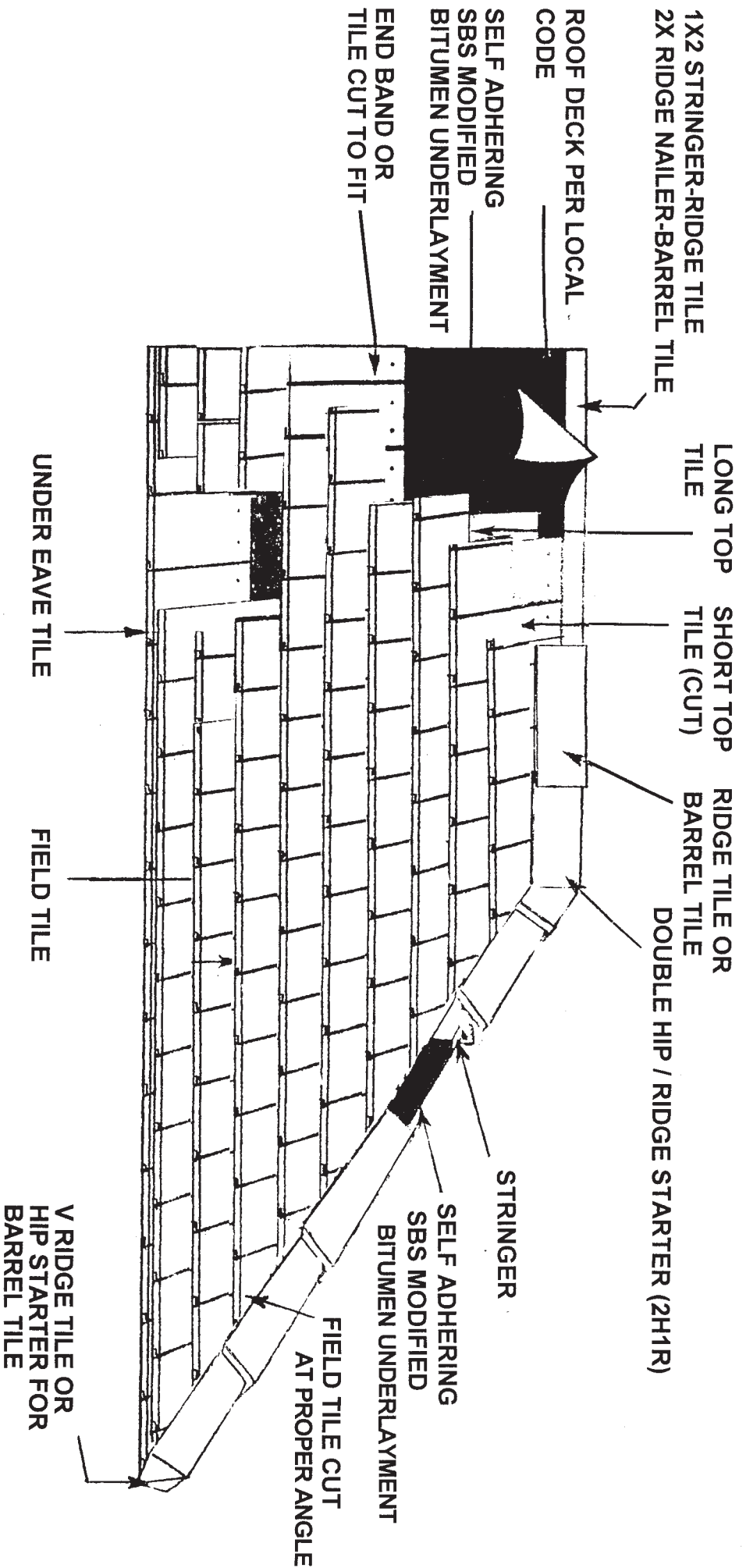


ALTERNATIVE RIDGE DETAIL

PHYSICAL DATA INTERLOCKING TILE

LENGTH	WIDTH	EXPOSURE	PIECES PER SQUARE	AVG. WEIGHT/SQUARE
14"	9"	11"	164	1064 LBS.

RECOMMENDED MINIMUM ROOF SLOPE 4:12



SANTA ANA INTERLOCKING TILE INSTALLATION: "WINDSOR"

ALL TILE DIMENSIONS ARE APPROXIMATE. SLIGHT VARIATIONS IN SIZE AND WEIGHT CAN OCCUR DUE TO CLAY FIRING PROPERTIES. INSTALLERS MUST SOMETIMES USE NIPPERS TO INSURE WARPED TILES FIT IN THE APPROPRIATE MANNER (PER INSTALLATION DETAILS). TO INSURE PROPER BLENDING OF COLORS, TILE SHOULD BE TAKEN FROM VARIOUS PALLETS WHEN INSTALLING THE ROOF.

RECOMMENDED MINIMUM ROOF SLOPE: 4:12